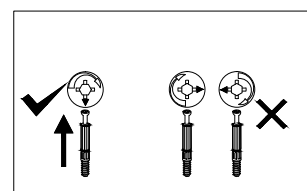
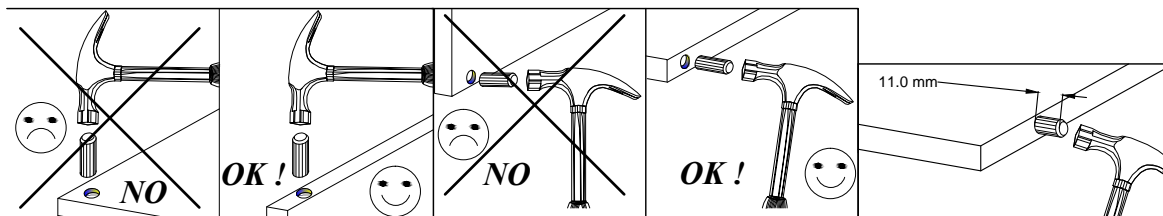
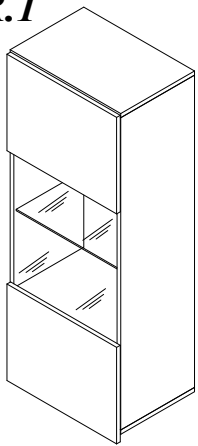
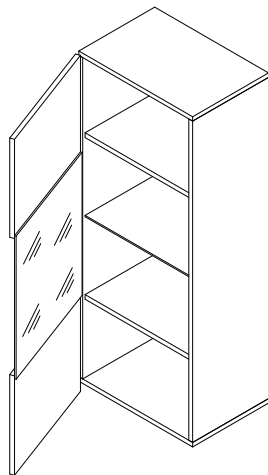
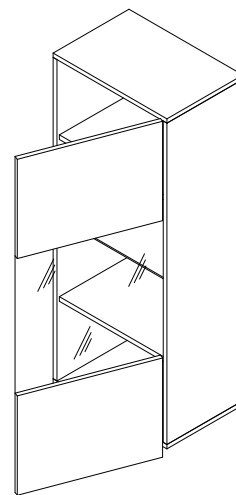
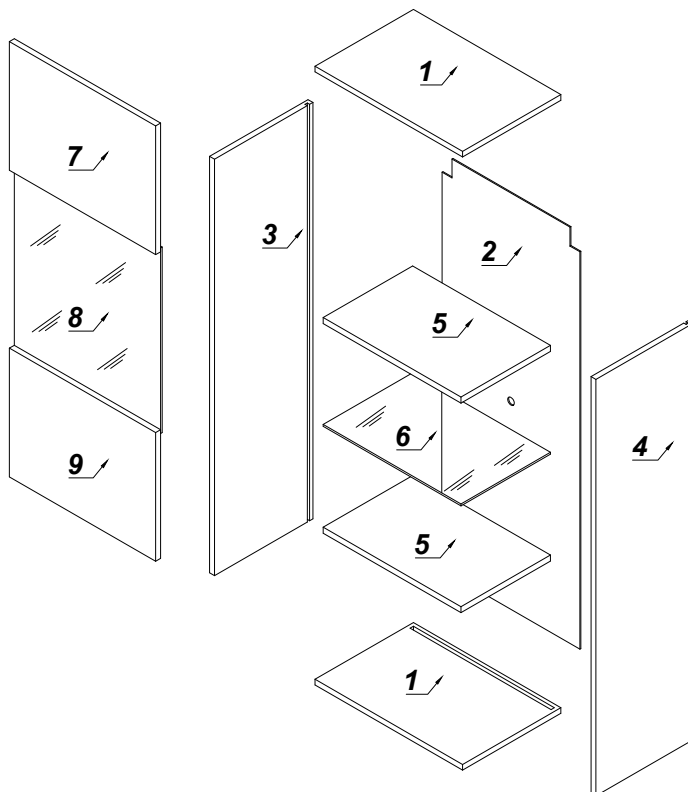
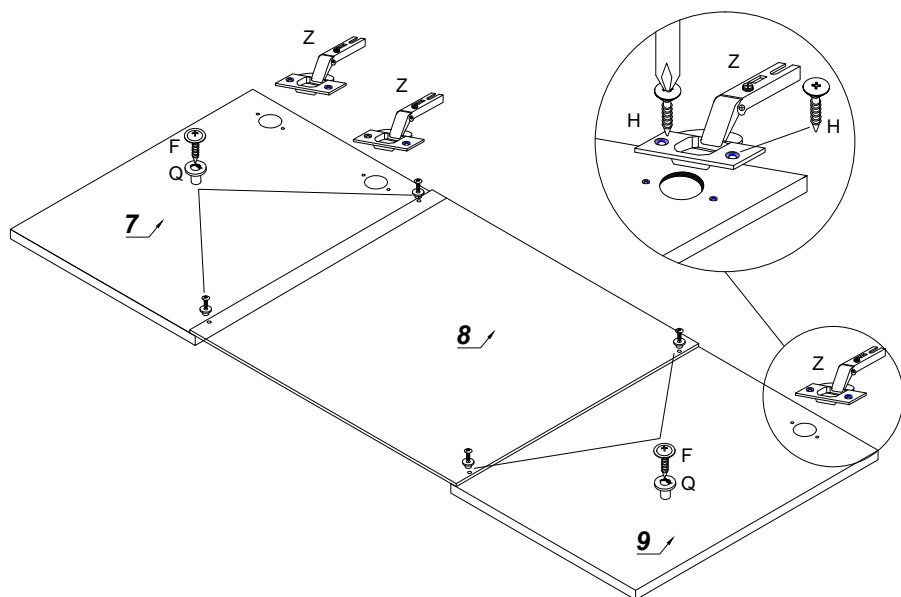
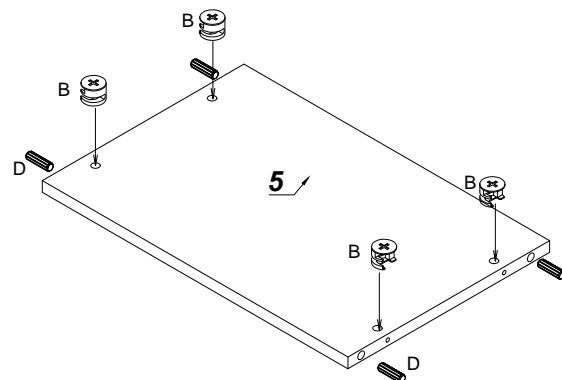


8.0x35 D 16	3.5x16 F 4	 Q 4	 A 16	 B 16	3.5x16 H 6	 I 6	 L 3	 Z 3
 X 16	 RT 2	 LE 2	4.0x30 P1 4	 S 8	X2 6	 W3 2		

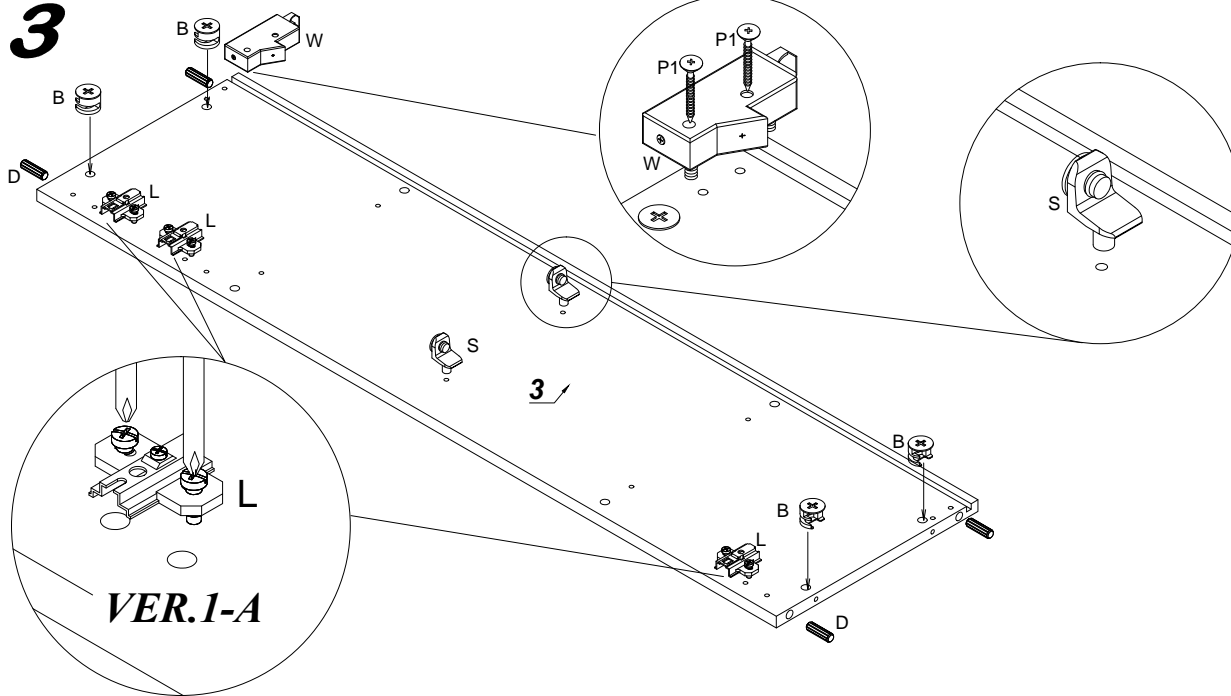


VER.1**VER.1-A****VER.1-B**

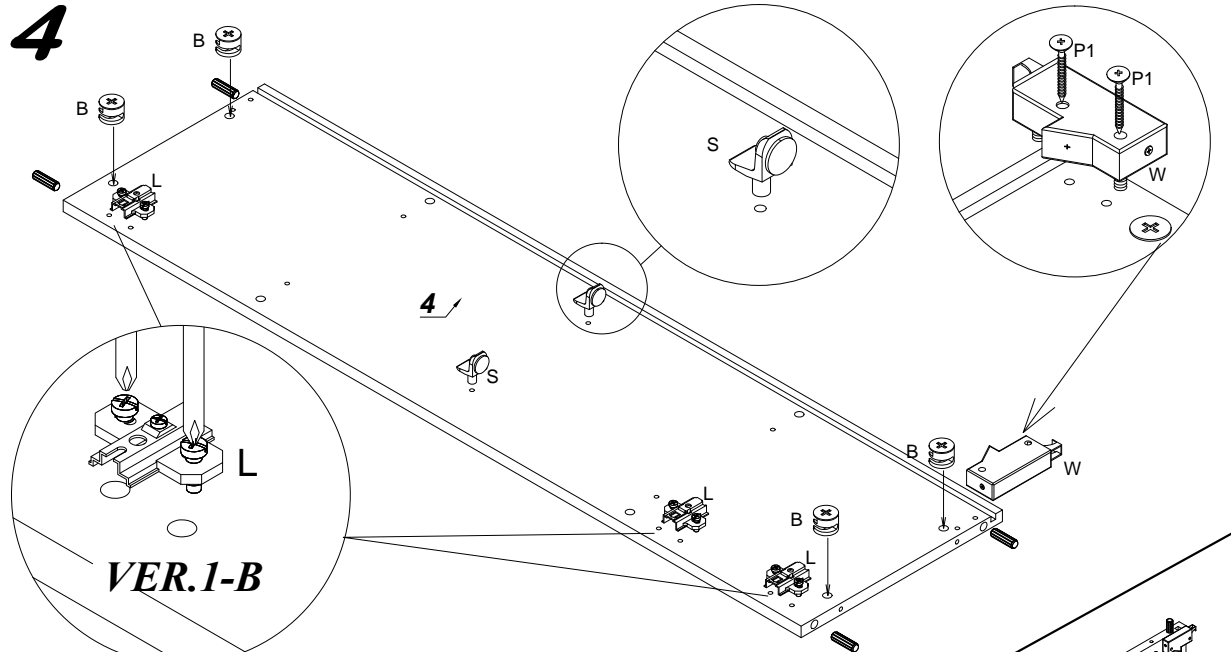
No.	Stc.	L	W	T	Col
1	2	450	300	16	1/1
2	1	1114	437	3	1/1
3	1	1100	300	16	1/1
4	1	1100	300	16	1/1
5	2	418	270	16	1/1
6	1	417	270	5	1/1
7	1	446	340	15	1/1
8	1	416	542	4	1/1
9	1	446	340	15	1/1

**1****2**

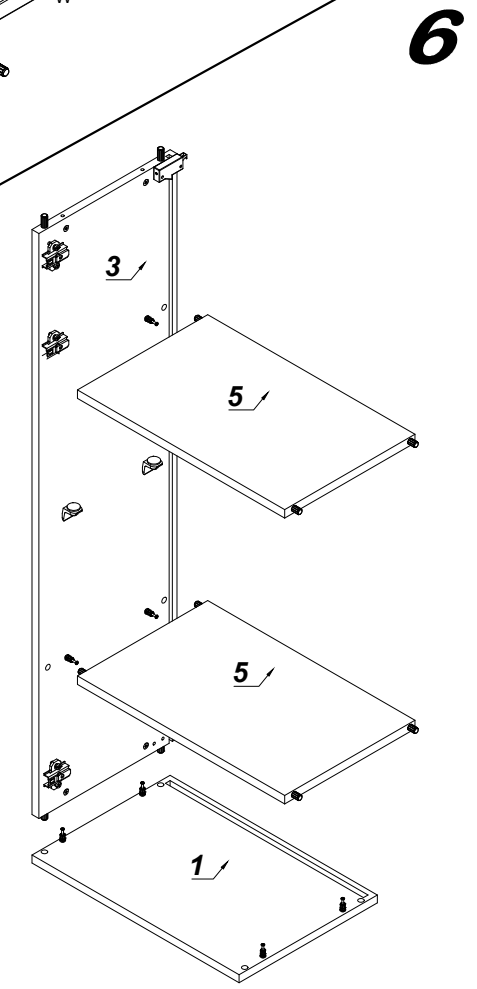
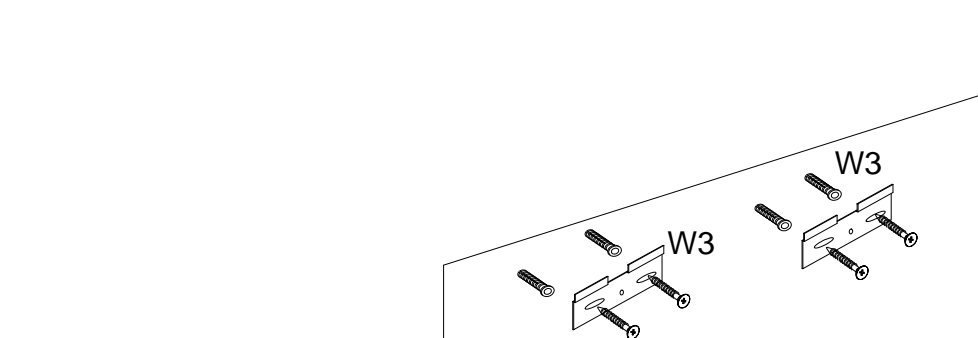
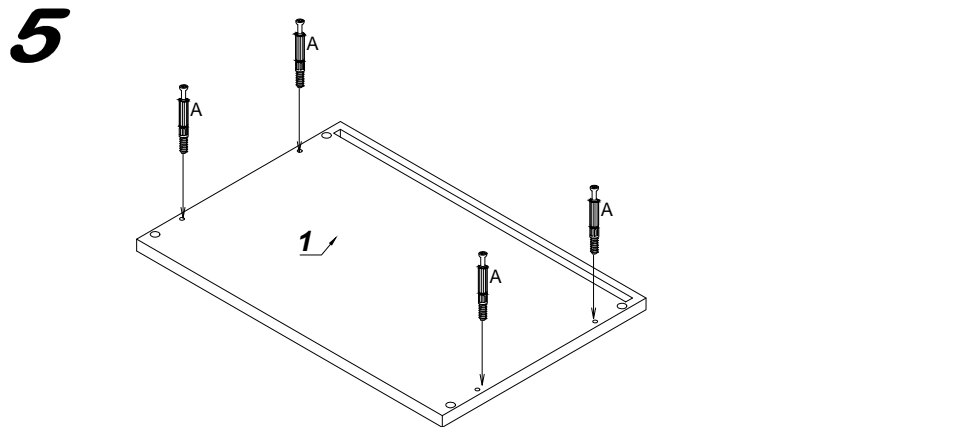
3



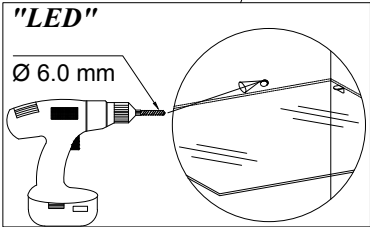
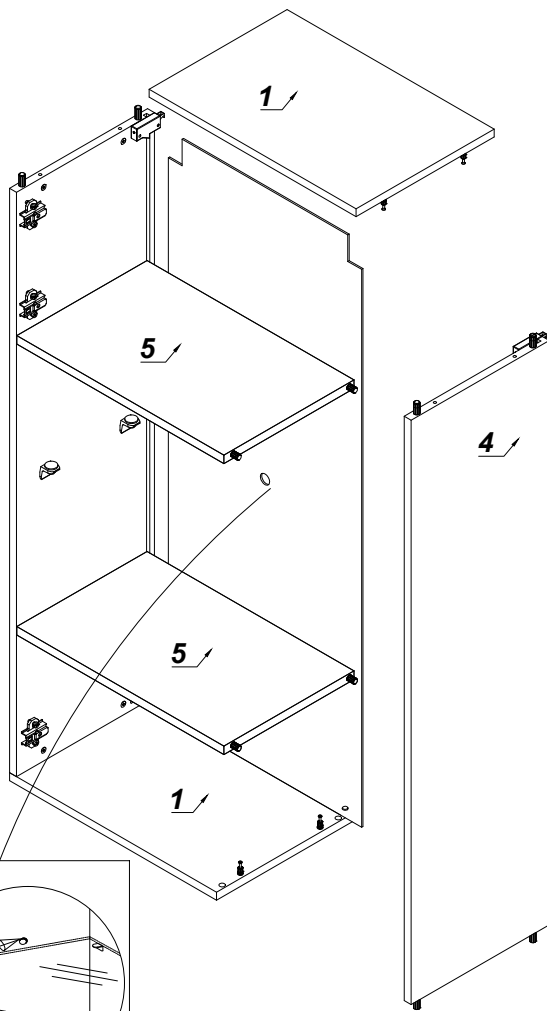
4



5

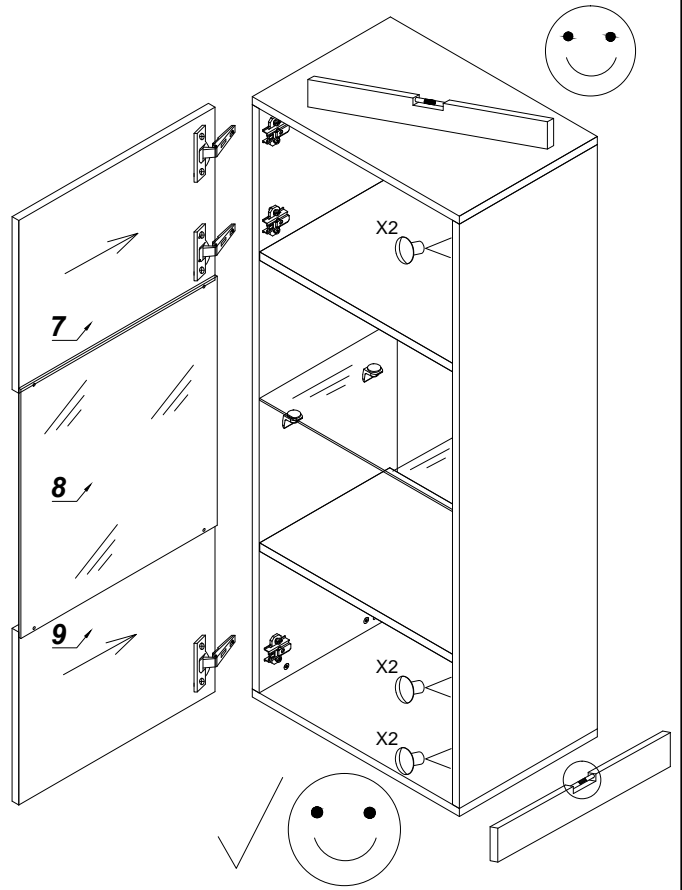


7

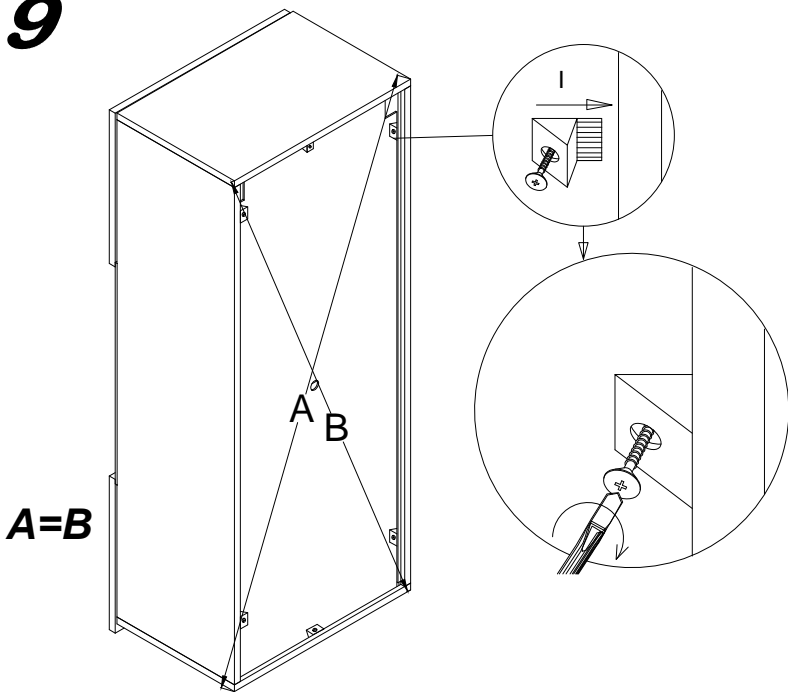


8

"A"



9



"B"

